

# ULISSE MAXI

## PTZ UNIT FOR DYNAMIC MONITORING OF LARGE OUTDOOR AREAS



PROTECTION



IP



INFRARED



THERMAL



WIPER



Driving network video through global standardization

### MAIN FEATURES

Variable speed: 0.02°-20°/s Pan and Tilt

Horizontal continuous rotation, vertical +45°/-20°

Weatherproof housing for large-size lenses

IP66

Optical sensors for absolute positioning feedback

Camera and lens maximum allowed weight is 7.6kg

Integrated wiper

Position accuracy: 0.02°

Up to 250 Presets

Operating temperature: -10°C / +60°C (14°F / 140°F)

Power supply available 230Vac, 24Vac or 120Vac

### OPTIONS:

IP based control, MPEG4, 25fps, Full D1 (compatible with Milestone XProtect Suite and ONVIF protocol)

Germanium window for thermal cameras

Prearrangement for mounting of two UPTIRN LED illuminators

### DESCRIPTION

ULISSE COMPACT is a robust and efficient Pan/Tilt/Zoom unit designed to ensure dynamic and non-stop surveillance of large outdoor areas and withstand harsh weather conditions.

This model can contain and manage the largest motorised lenses on the market, with a total weight of up to almost 8 kilos. This way a single unit can provide a 360° coverage of the area to be monitored.

To ensure detailed images even during the night hours, versions are available with LED illuminators, with infrared light or white light.

The sturdy mechanical structure and the powerful motors of this PTZ are designed to guarantee maximum resistance to high operating stress, vibrations and temperatures between -10°C to +60°C.

ULISSE MAXI is equipped with optical encoders which ensure the accurate control of the position in any condition of use.

The unit is equipped with a wiper for removing rain and dust from the front glass; there is a wide selection of jerry cans with washer pump, different capacities and heads.

The IP-based versions can be integrated into a network system, with network control of all PTZ functions.

Models are available for vision with a thermal camera.



ULISSE MAXI + UPTIRN



ULISSE MAXI + UPTWB TAB

**TECHNICAL DATA****GENERAL**

Built in aluminium and ABS  
 Epoxypolyester powder painting, RAL9002 colour  
 Top mount (OTT)  
 Transmission through toothed belt  
 Slip-ring  
 Electronic limit switches  
 Plug installation thanks to connector and easy replacement on-site  
 Zero backlash  
 Max weight camera+lens: 7.6kg (17lb)  
 Optical sensors for absolute positioning feedback  
 Configuration of telemetry protocol parameters through dip-switch for RS485

**MECHANICAL**

Cable glands: 3xM16  
 Horizontal rotation: continuous  
 Vertical rotation: from +45° to -20°  
 Horizontal speed (variable): from 0.02° up to 20°/s  
 Tilt speed (variable): from 0.02° up to 20°/s  
 Internal usable area: See drawings  
 Enclosure glass window (WxH): 112x95mm (4.4x3.7in)  
 Preset accuracy: 0.02°  
 Unit weight: 30kg (66lb)  
 ULISSE MAXI, for thermal cameras:  
 Germanium window
 

- Dimensions (Ø): 85mm (3.3in) (external), 70mm (2.8in) (usable diameter)
- Thick: 2mm (0.07in)
- External scratch-resistant treatment: Hard Carbon Coating (DLC)
- Internal antireflection treatment

 Spectral range: 7.5µm ÷ 14µm  
 Medium transmittance (7.5µm ÷ 11.5µm): 94%  
 Medium transmittance (11.5µm ÷ 14µm): 90%

**ELECTRICAL**

Input voltage:
 

- 230Vac, 50/60Hz, 100W
- 24Vac, 50/60Hz, 100W (150-190W max, version with LED illuminators)
- 120Vac, 50/60Hz, 100W

 Current consumption:
 

- 230Vac, 0.4A
- 24Vac, 4A (8A, version with LED illuminators)
- 120Vac, 0.8A

 Input cables size: AWG 16 (24Vac) - AWG 18 (120/230Vac)  
 Dimensions of signal cables: AWG 20-26  
 Housing standard heater: 24Vac, 20W max  
 Alarm input: 4 (2, version with LED illuminators), from 10Vdc to 35Vdc  
 Dry contacts: 2 (1, version with LED illuminators), 50Vdc max or 30Vac@1A  
 Video line: coaxial cable (1Vpp, 750hm)  
 Camera power supply: 12Vdc, 800mA  
 Power supply to the lens: From 6Vdc to 15Vdc, 200mA max  
 Zoom lens controller: polarity inversion and common wire  
 Functions: Autopan, Preset, Patrol  
 Maximum number of presets for protocol: 250 (VIDEOTEC MACRO)  
 15 characters string for Area and Preset titling  
 Configuration through OSD

**COMMUNICATIONS**

RS-232 interface for PC control set-up and firmware upgrade  
 Serial line: 2 RS-485 lines, 1 RS-232 line  
 Addressable through dip-switch up 255 units  
 ULISSE MAXI, IP based control mode:
 

- Connection Ethernet port LAN 10/100T

**PROTOCOLS**

Configuration of telemetry protocol parameters through dip-switch  
 AMERICAN DYNAMICS, PANASONIC, PELCO D, VIDEOTEC MACRO, VISTA  
 AMERICAN DYNAMICS, PANASONIC, PELCO, VISTA are registered trademarks.  
*The product may be interfaced with devices not manufactured by VIDEOTEC. It is possible that the interface protocols have changed or are in a different configuration from earlier tested units by VIDEOTEC. VIDEOTEC recommends a test prior to installation. VIDEOTEC will not be liable for any installation costs or lost revenues in the event a compatibility problem will occur.*

ULISSE MAXI, IP based control mode:

- Compression MPEG-4
- Image resolution: Full D1 (720x576), VGA (640x480), CIF (352x288), QCIF (176x144)
- Image frame rate max 25fps at Full D1
- Web Server

**ENVIRONMENT**

Indoor/Outdoor  
 Operating temperature (with heater): From -10° (14°F) to +60°C (140°F)  
 Surge immunity: up to 2kV line to line, up to 4kV line to earth (Class 4)

**CERTIFICATIONS**

Electrical safety (CE): EN60950-1  
 Electromagnetic compatibility (CE): EN50130-4, EN61000-6-3, FCC Part 15 (Class B)  
 Outdoor installation (CE): EN60950-22  
 Photobiological safety (CE):  
 IP protection degree: EN60529, IP66  
 Salty fog resistance: EN50130-5, EN60068-2-52  
 UL certification:

**ACCESSORIES**

UPTJBUL	Junction weatherproof box for cables connexion (according UL norm)
UPTIRN108A00	LED illuminator for ULISSE, 10°, 850nm, 24Vac - 12/24Vdc
UPTIRN308A00	LED illuminator for ULISSE, 30°, 850nm, 24Vac - 12/24Vdc
UPTIRN608A00	LED illuminator for ULISSE, 60°, 850nm, 24Vac - 12/24Vdc
UPTIRN109A00	LED illuminator for ULISSE, 10°, 940nm, 24Vac - 12/24Vdc
UPTIRN309A00	LED illuminator for ULISSE, 30°, 940nm, 24Vac - 12/24Vdc
UPTIRN10WA00	LED illuminator for ULISSE, 10°, white light, 24Vac - 12/24Vdc
UPTIRN30WA00	LED illuminator for ULISSE, 30°, white light, 24Vac - 12/24Vdc
UPTIRN60WA00	LED illuminator for ULISSE, 60°, white light, 24Vac - 12/24Vdc
UPTIRPS230	External power supply for ULISSE and ULISSE PLUS, prearranged for two LED illuminators, and control to synchronize IR illuminators with camera Day/Night switching, IN 230Vac, in weatherproof box. Twilight sensor included.
UPTIRPS120	External power supply for ULISSE and ULISSE PLUS, prearranged for two LED illuminators, and control to synchronize IR illuminators with camera Day/Night switching, IN 120Vac, in weatherproof box. Twilight sensor included.
WASPTOV5L5M00	Water tank 5l, pump with delivery up to 5m (16ft), IN 230Vac-24Vac-120Vac
WASPTOV23L5M00	Water tank 23l, pump with delivery up to 5m (16ft), IN 230Vac-24Vac-120Vac
WASPTOV23L11M00	Water tank 23l, pump with delivery up to 11m (36ft), IN 230Vac-24Vac-120Vac
WASPT1V23L30M00	Water tank 23l, pump with delivery up to 30m (98ft) with water floating, IN 230Vac
WASPT3V23L30M00	Water tank 23l, pump with delivery up to 30m (98ft) with water floating, IN 120Vac

**RELATED PRODUCTS**

ALBERT	Encoder for video content analysis and smart system management
SM82A	Video matrix 8 inputs and 2 outputs
SM164B	Video matrix 16 inputs and 4 outputs
SM328B	Matrix 32 inputs and 8 outputs
DCJ	Keyboard for video and telemetry control
DCT	Video and telemetry touch-screen control keyboard
DCZ	Universal control keyboard for PC applications

**BRACKETS AND ADAPTORS**

UPTWBA	Wall bracket with internal cable channel
UPTWBTAB	Parapet bracket with internal cable channel

**PACKAGE**

Model Number	Weight	Dimensions (WxHxL)	Master carton
UPT1SLWA000E	38kg (84lb)	76x41x67cm (30x16x26.4in)-	
UPT1SLGA000E	38kg (84lb)	76x41x67cm (30x16x26.4in)-	

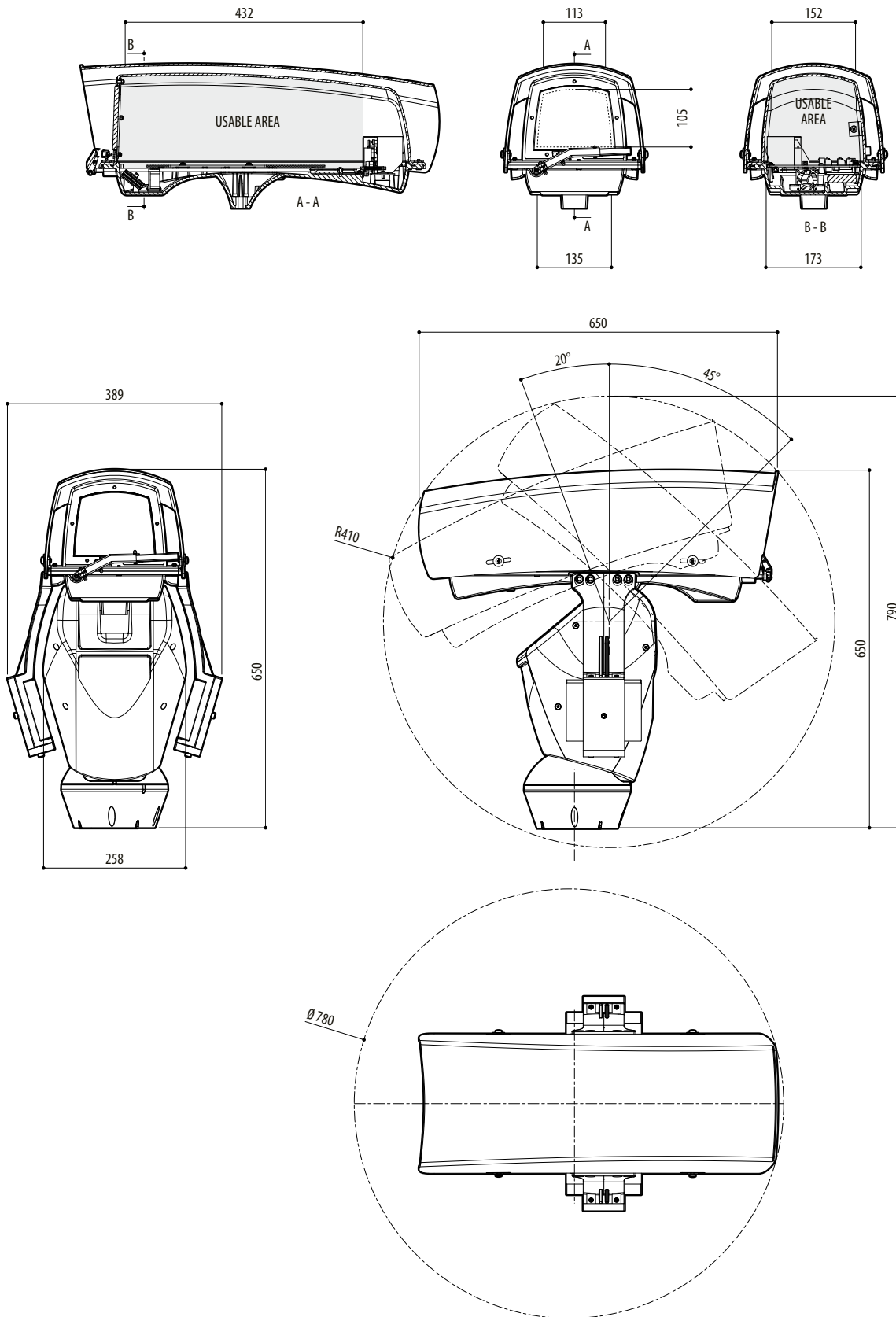
**ULISSE MAXI - CONFIGURATION OPTIONS**

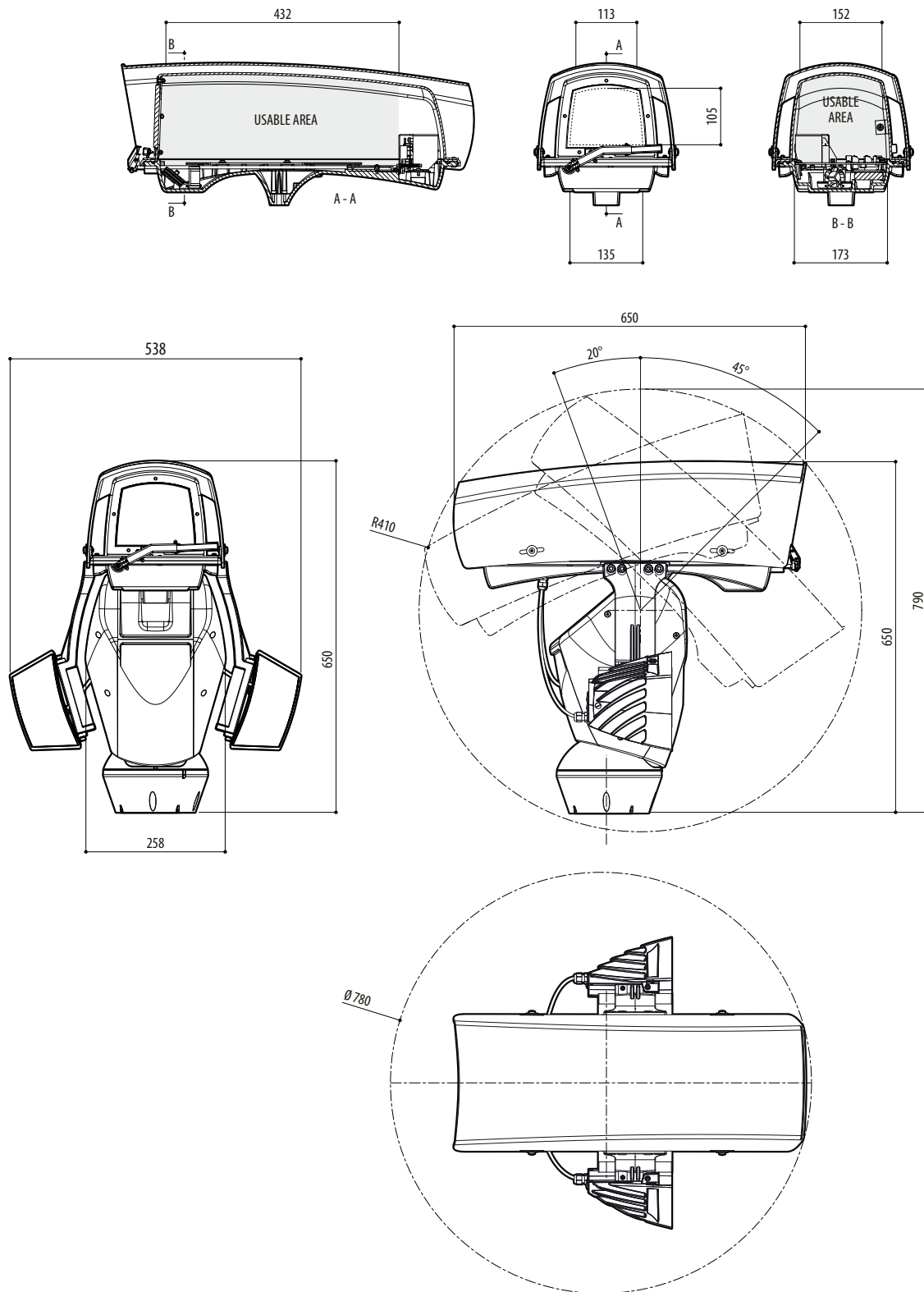
	Voltage		Options		Video output		
<b>UPT</b>	<b>1</b>	230Vac	<b>SL</b>	<b>W</b> With wiper	<b>A</b>	<b>O</b> Analog control	<b>00E</b>
	<b>2</b>	24Vac		<b>G</b> With germanium front window for thermal cameras applications		<b>X</b> IP MPEG4 control	
	<b>3</b>	120Vac		<b>J</b> With wiper and brackets for UPTIRN (only 24Vac, illuminators not included)			

*Not all combinations are possible.*

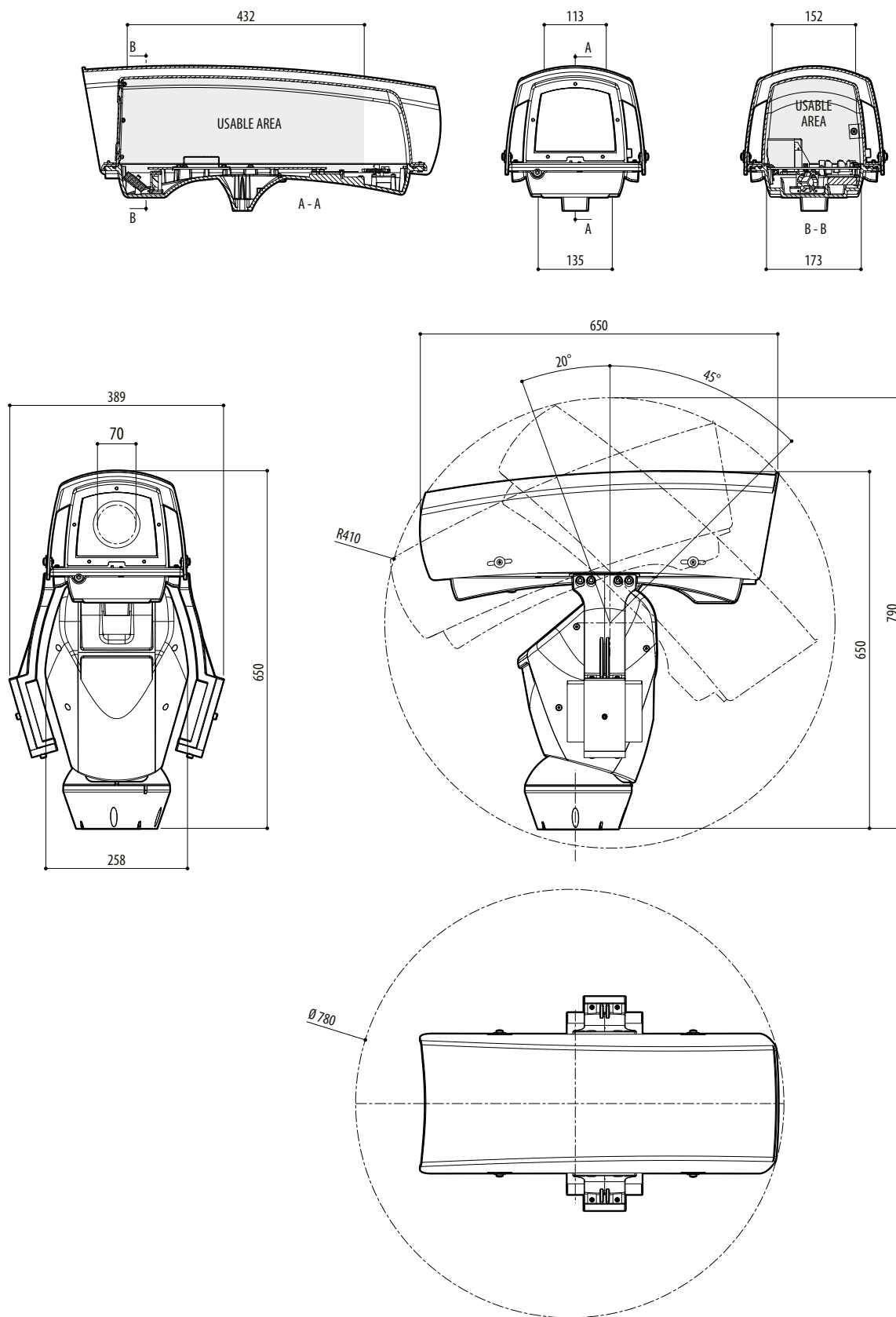
**TECHNICAL DRAWINGS**

Sizes in millimeters.





ULISSE MAXI, PRE-ARRANGED VERSION FOR TWO LED ILLUMINATORS INSTALLATION



ULISSE MAXI, VERSION FOR THERMAL CAMERAS